



SUPER AEROJIB



818-806-9386



info@treefortent.com



@treefortentertainment

SUPER AEROJIB



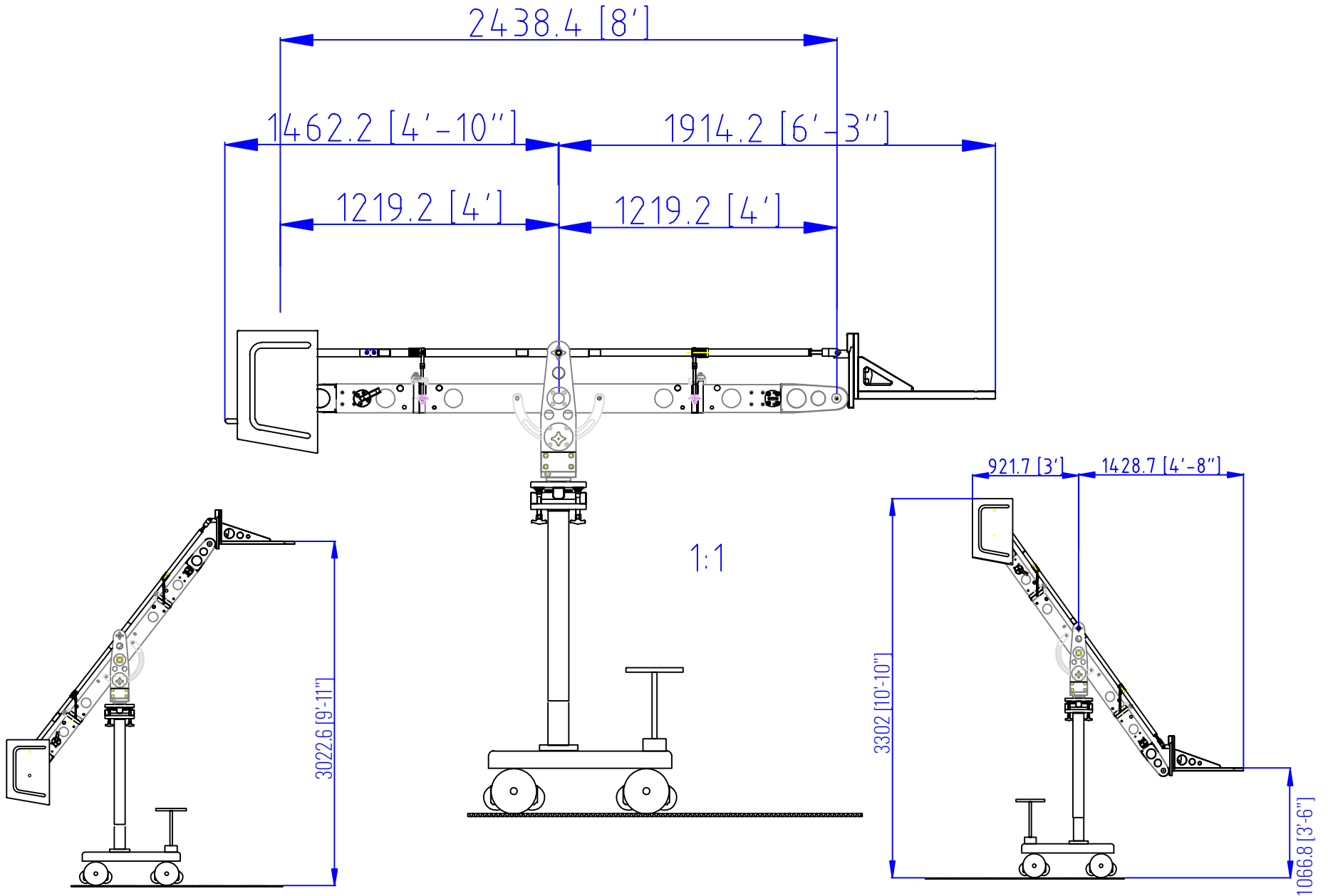
The Super Aerojib is over-engineered and over delivers. Based on the same platform as the larger Aerocrane, the Super Aerojib commands a special place in filmmaking as an incredible fixed-arm jib.

Modular builds allow the crane to be assembled from 6'3" to 16'. Paired with our Moviebird mobile base, the lens height can sweep from 21' in the air to 6' below the deck.

Pair it with our XL stabilized remote head for pan, tilt and roll in underslung or overslung mode. Equipped with a Mitchell Mount nose, you can also use your own remote head. The crane uses any secure Mitchell platform as a base. Run it on a Chapman or Fisher dolly on the center-post kit.

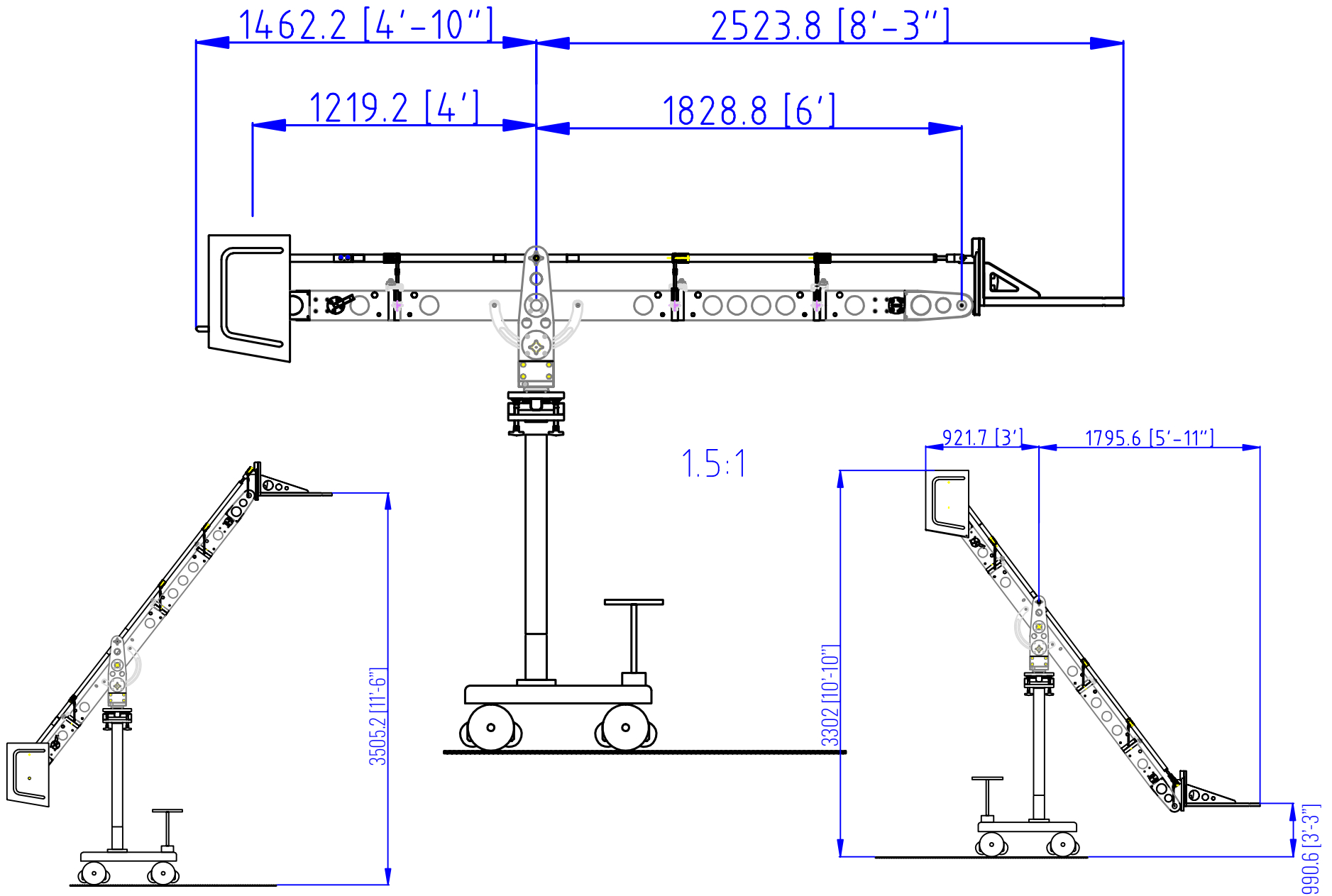
SUPER AEROJIB SCHEMATICS

X-SHORT



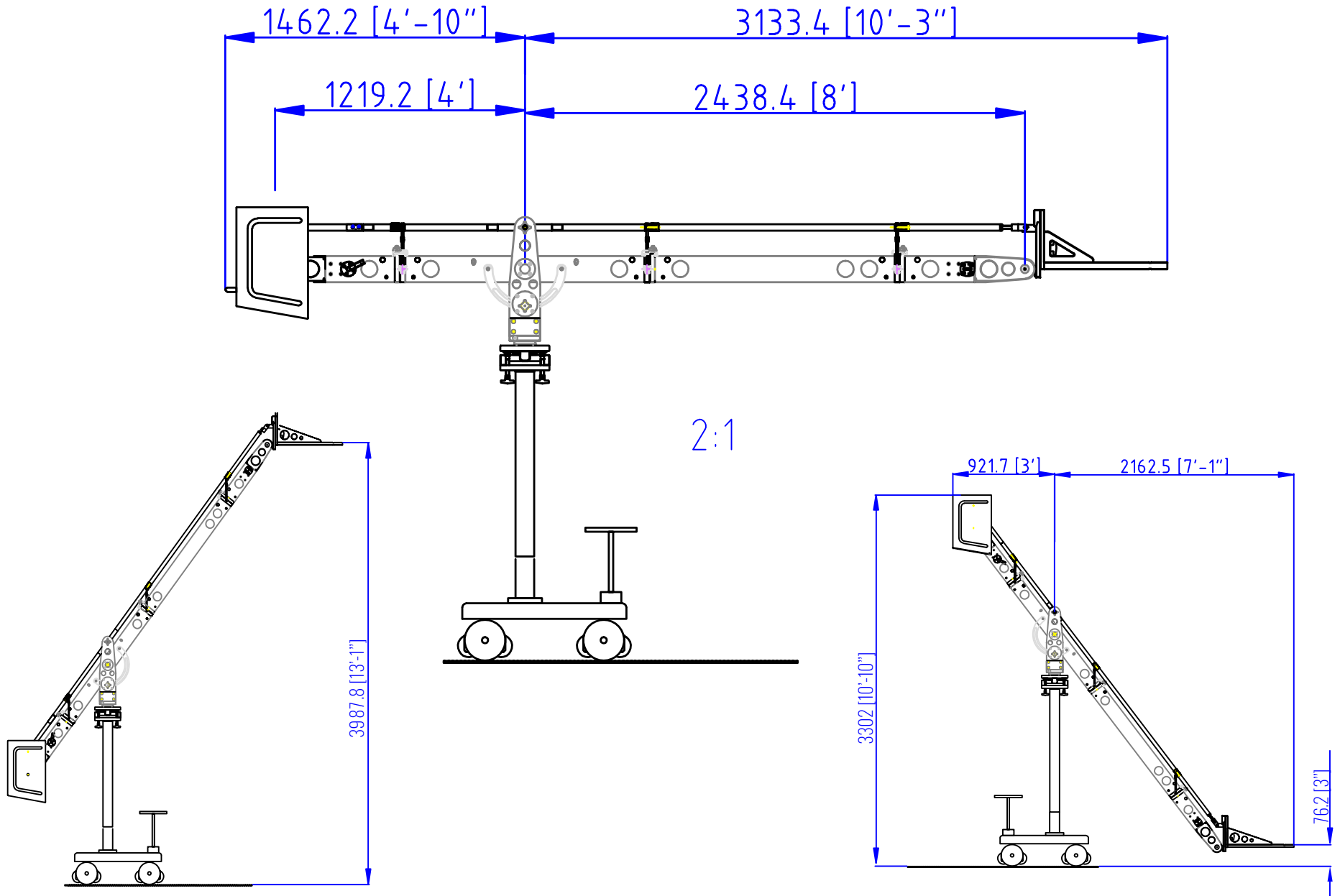
SUPER AEROJIB SCHEMATICS

SHORT



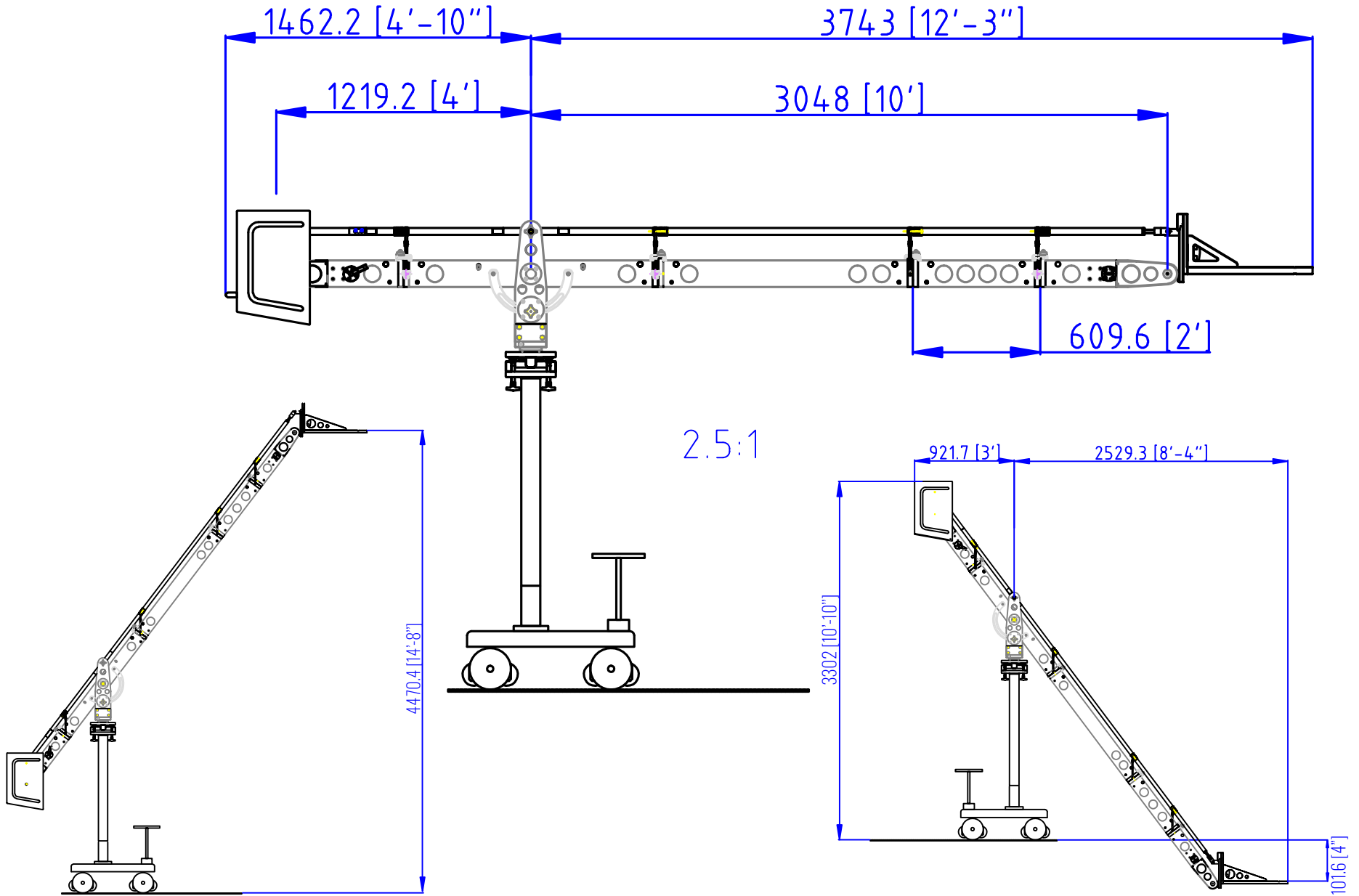
SUPER AEROJIB SCHEMATICS

MEDIUM



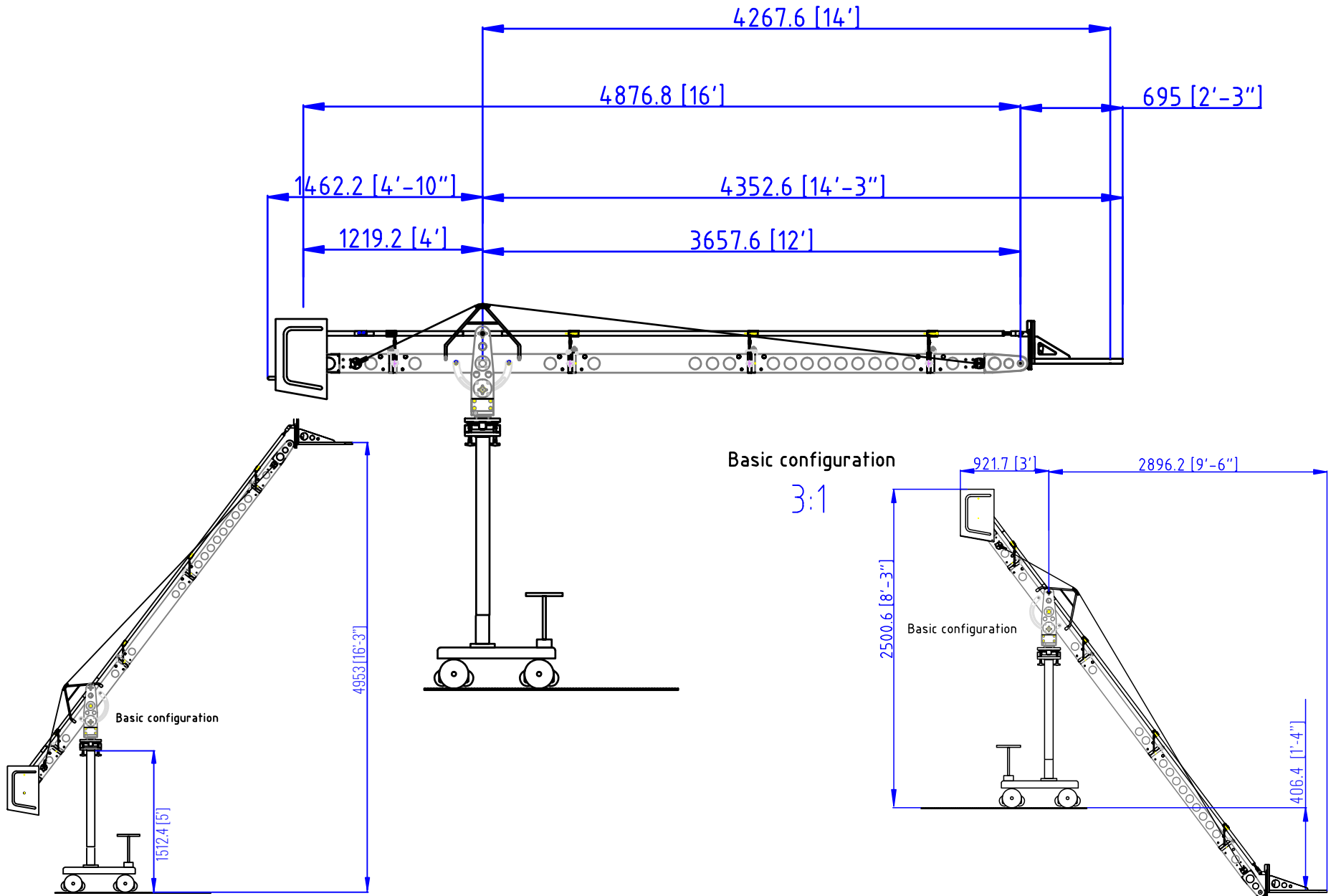
SUPER AEROJIB SCHEMATICS

LONG



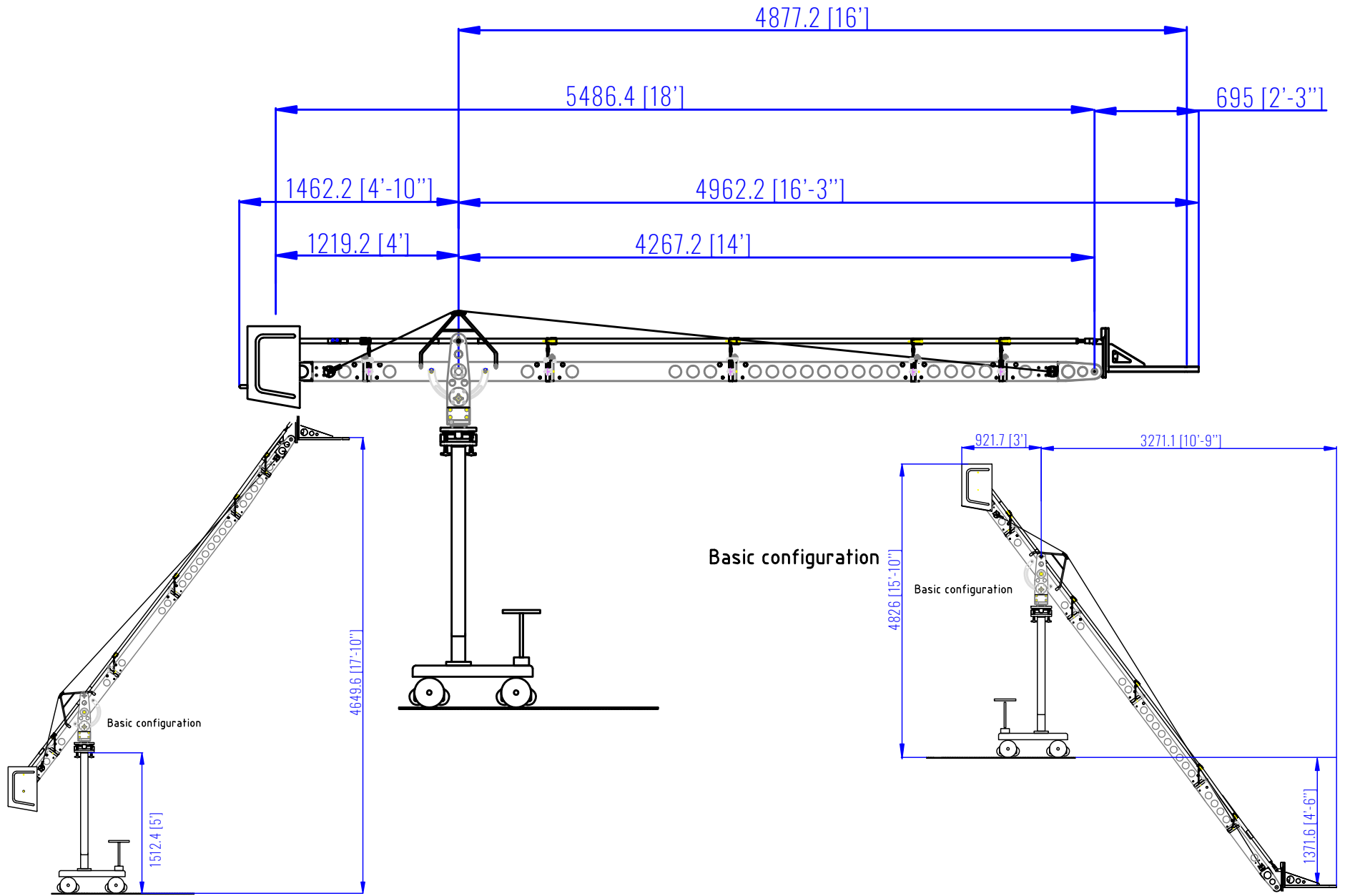
SUPER AEROJIB SCHEMATICS

X-LONG



SUPER AEROJIB SCHEMATICS

XX-LONG





818-806-9386



info@treefortent.com



@treefortentertainment

www.treefortentertainment.com